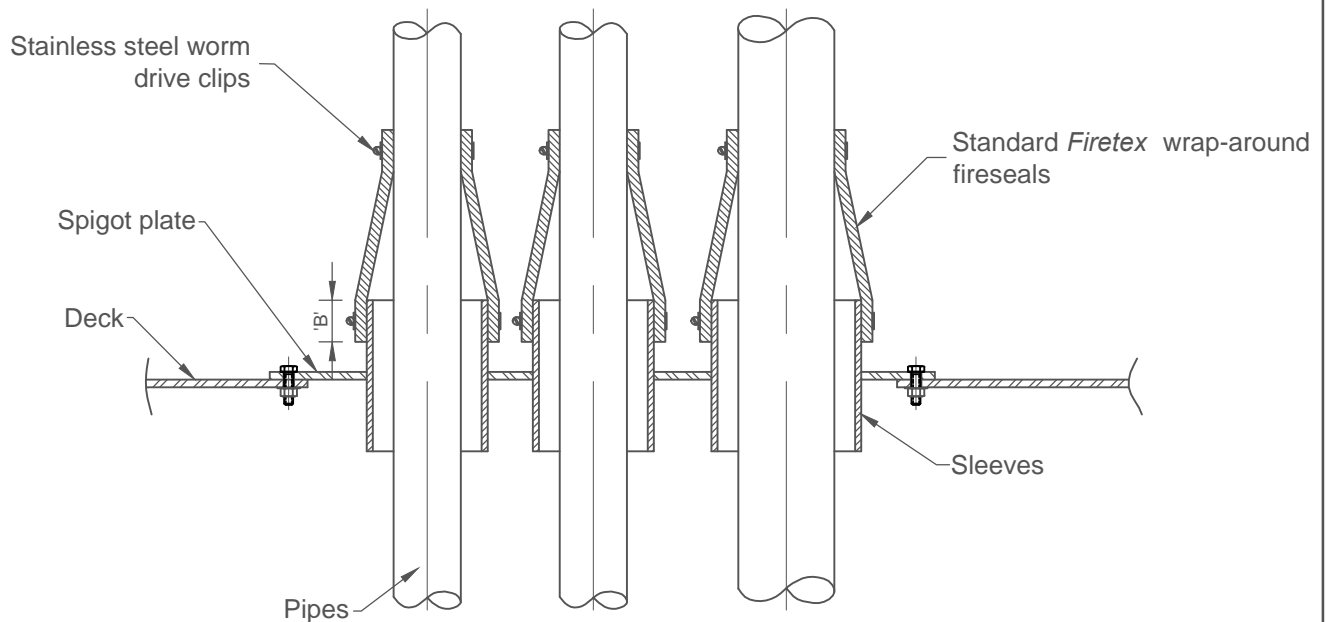


PLAN VIEW (FIRE SEALS OMITTED)



(SECTIONAL VIEW)

Notes:

- MOVEMENT:** Seal design to suit specific project movement criteria.
- CLIPPING:** Each seal is supplied with fitting instructions, adhesive and stainless steel worm drive clips to suit pipe and sleeve diameters. For diameters of 350mm and above 'double clipping' is required. The clipping length or cuff (B) is 50mm for single clips and 75mm for double clips.
- GENERAL:** The deck penetration solution featured here may also be applied to a bulkhead penetration. Spigot plate may be supplied by MCL if required.

Drawing Title:

SPECIAL FIRETEX PIPE PENETRATION SEAL SYSTEM - MULTI-PIPE SPIGOT PLATE TYPE



MCL UNITEX LTD
 MCL House, Adams Close,
 Heanor Gate Industrial Park,
 Heanor, Derbyshire,
 DE75 7SW
 United Kingdom
 Tel: +44 (0)1773 761226
 Fax: +44 (0)1773 533478
 Web: www.mclunitex.com

Rev	Date	Revision detail	Drn	Chk'd	App'd
A	02/06/10	Values updated		M.A.T.	J.D. N.R.T.
0	29/09/05	Drawing created		J.D.	N.R.T. I.C.K.
Drawing Number					