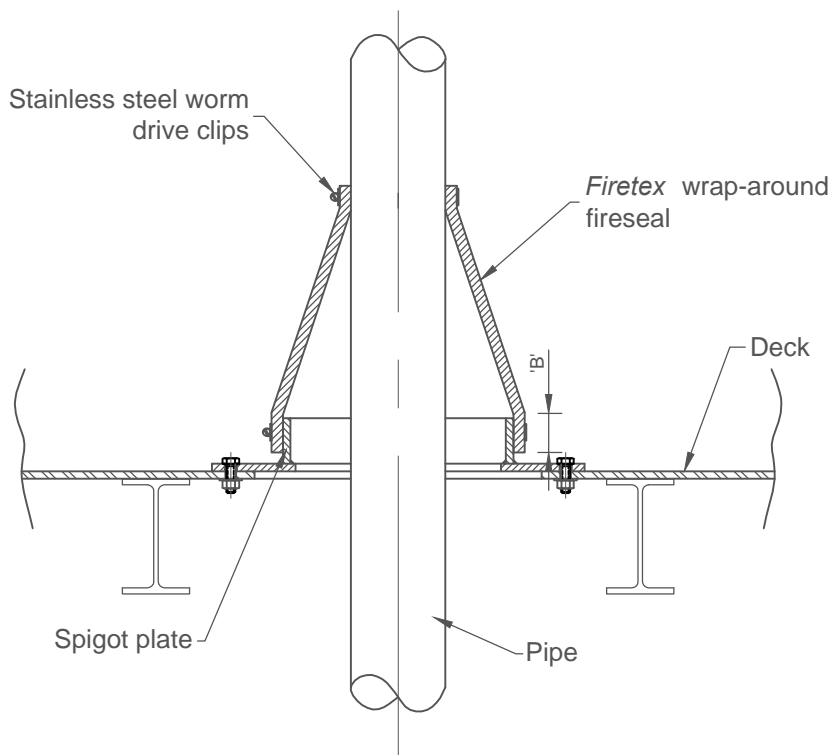


PLAN VIEW OF SPIGOT PLATE



(SECTIONAL VIEW)

Notes:

MOVEMENT:
CLIPPING:

Standard seal construction will accommodate: +/-25mm in any plane.
Each seal is supplied with fitting instructions, adhesive and stainless steel worm drive clips to suit pipe and spigot diameters. For diameters of 350mm and above 'double clipping' is required.
The clipping length or cuff (B) is 50mm for single clips and 75mm for double clips.

GENERAL:

The deck penetration solution featured here may also be applied to a bulkhead penetration.
Spigot plate may be supplied by MCL if required.

Drawing Title:

SPECIAL FIRETEX PIPE PENETRATION SEAL SYSTEM - SINGLE SPIGOT PLATE TYPE



MCL UNITEX LTD
MCL House, Adams Close,
Heanor Gate Industrial Park,
Heanor, Derbyshire,
DE75 7SW
United Kingdom
Tel: +44 (0)1773 761226
Fax: +44 (0)1773 533478
Web: www.mclunitex.com

A	02/06/10	Values updated		M.A.T.	J.D.	N.R.T.
0	23/09/05	Drawing created		J.D.	N.R.T.	I.C.K.
Rev	Date	Revision detail		Drn	Chk'd	App'd
Drawing Number			PPS-0240	REV	A	