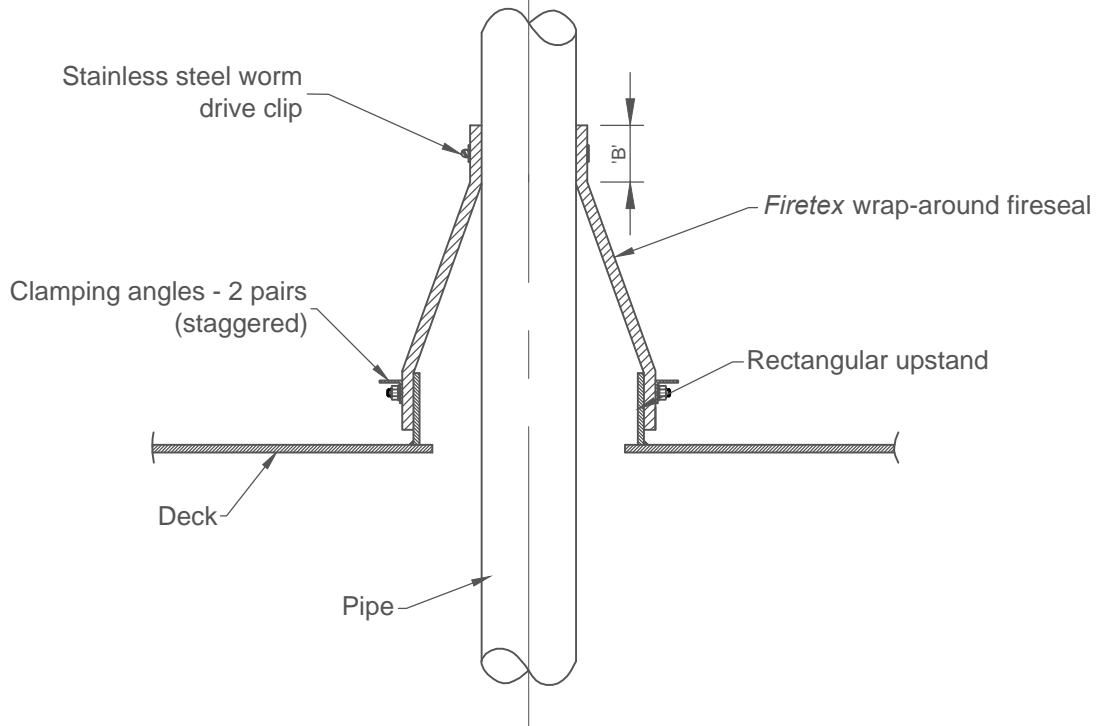


PLAN VIEW
(FIRE SEAL & CLAMPING ANGLES OMITTED)



(SECTIONAL VIEW)

Notes:

- MOVEMENT:** Standard seal construction will accommodate +/-25mm in any plane.
- CLIPPING:** Each seal is supplied with fitting instructions, adhesive and stainless steel worm drive clips/clamps to suit diameters. For pipe diameters of 350mm and above 'double clipping' is required. The clipping length or cuff (B) is 50mm for single clips and 75mm for double clips.
- GENERAL:** The deck penetration featured here may also be applied to a bulkhead penetration.

Drawing Title:

SPECIAL FIRETEX PIPE PENETRATION SEAL
SQUARE TO ROUND TYPE



MCL UNITEX LTD
MCL House, Adams Close,
Heanor Gate Industrial Park,
Heanor, Derbyshire,
DE75 7SW
United Kingdom
Tel: +44 (0)1773 761226
Fax: +44 (0)1773 533478
Web: www.mclunitex.com

Rev	Date	Revision detail	Drn	Chk'd	App'd
A	02/06/10	Values updated		M.A.T.	J.D. N.R.T.
0	08/10/05	Drawing created		J.D.	N.R.T. I.C.K.
Drawing Number					