

Stainless Steel Ball Valve – Two-Piece - BSPP / NPT

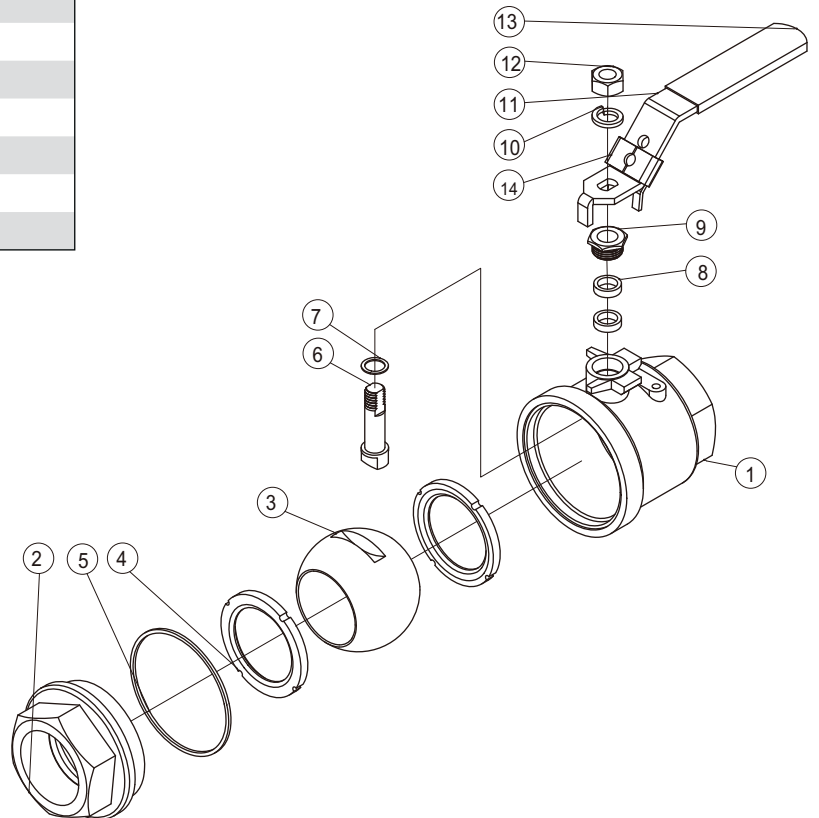
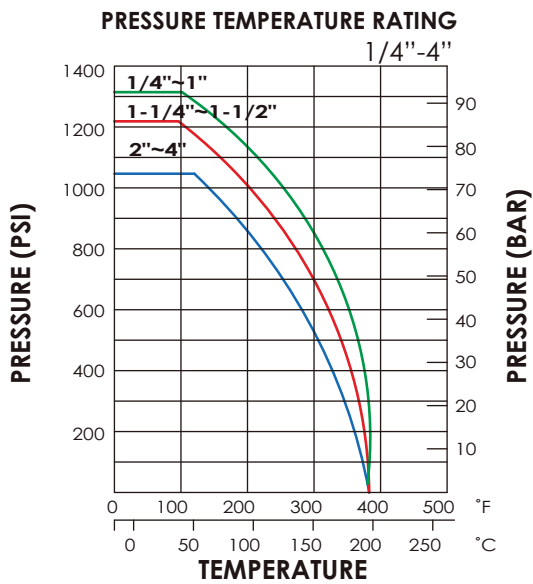
Screwed BSPP, Full Bore, Stainless Steel Body, Ball & Stem, PTFE Seats & Seal, Anti-blowout Stem, Locking Device

Pressure/Temperature Ratings

Pressure	PN63 Rated
Temperature	-10°C to 180°C

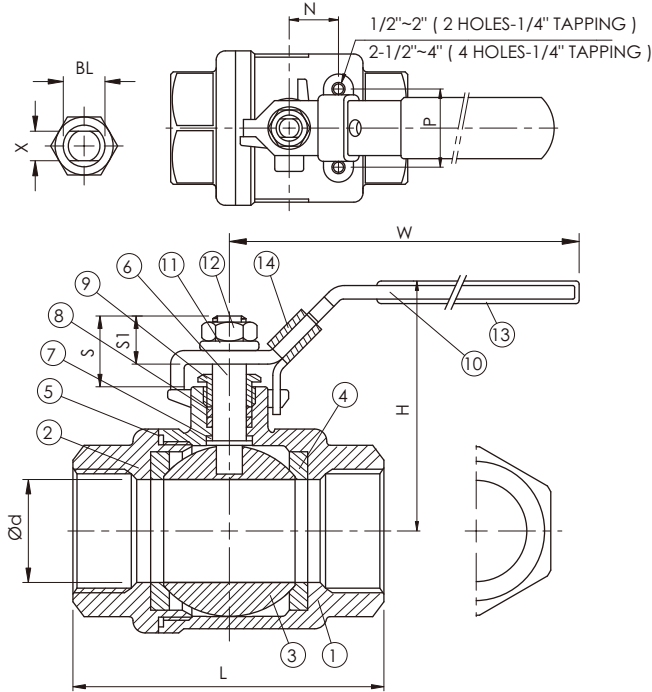
Material List

No#	Part	Material
1	Body	Stainless Steel ASTM-A351-CF8M
2	Cap	Stainless Steel ASTM-A351-CF8M
3	Ball	Stainless Steel ASTM-A351-CF8M
4	Ball Seat	PTFE
5	Joint Gasket	PTFE
6	Stem	Stainless Steel AISI 316
7	Thrust Washer	PTFE
8	Stem Packing	PTFE
9	Gland Nut	Stainless Steel AISI 304
10	Handle	Stainless Steel AISI 304
11	Spring Washer	Stainless Steel AISI 304
12	Stem Nut	Stainless Steel AISI 304
13	Handle Sleeve	Plastic
14	Lock Device	Stainless Steel AISI 304



Dimensional Information on Page 2

Stainless Steel Ball Valve – Two-Piece - BSPP / NPT



Dimensions													
Size	ØD	L	H	W	S	S1	X	N	P	BL	Cv	Torque	Kg
1/4"	11.6	44.5	51	95	16.8	10.2	5	12.5	25	5/16"	6.6	40	0.22
3/8"	12.7	44.5	51	95	16.8	10.2	5	12.5	25	5/16"	7.9	40	0.22
1/2"	15	57	53	95	16.8	10.2	5	12.5	25	5/16"	11.2	54	0.29
3/4"	20	65	59.5	110	21	13.5	6.5	21	24	3/8"	21	74	0.42
1"	25	76	73	135	24	16	8	22.5	33.5	7/16"	35	104	0.71
1 1/4"	32	87.5	79	135	24	16	8	23.5	38.1	7/16"	57	135	1.06
1 1/2"	38	102	90.5	165	26.5	17	9	23.5	38.1	1/2"	80	180	1.68
2"	50	123	98.5	165	26.5	17	9	23.5	38.1	1/2"	148	250	2.71
2 1/2"	65	156	130.5	215	41.5	29.5	12	35	56	3/4"	265	480	5.25
3"	80	184	142.5	215	41.5	29.5	12	35	56	3/4"	415	750	8.6
4"	100	250	173.5	325	47.5	36.5	16	50	63	1"	780	1100	19.32