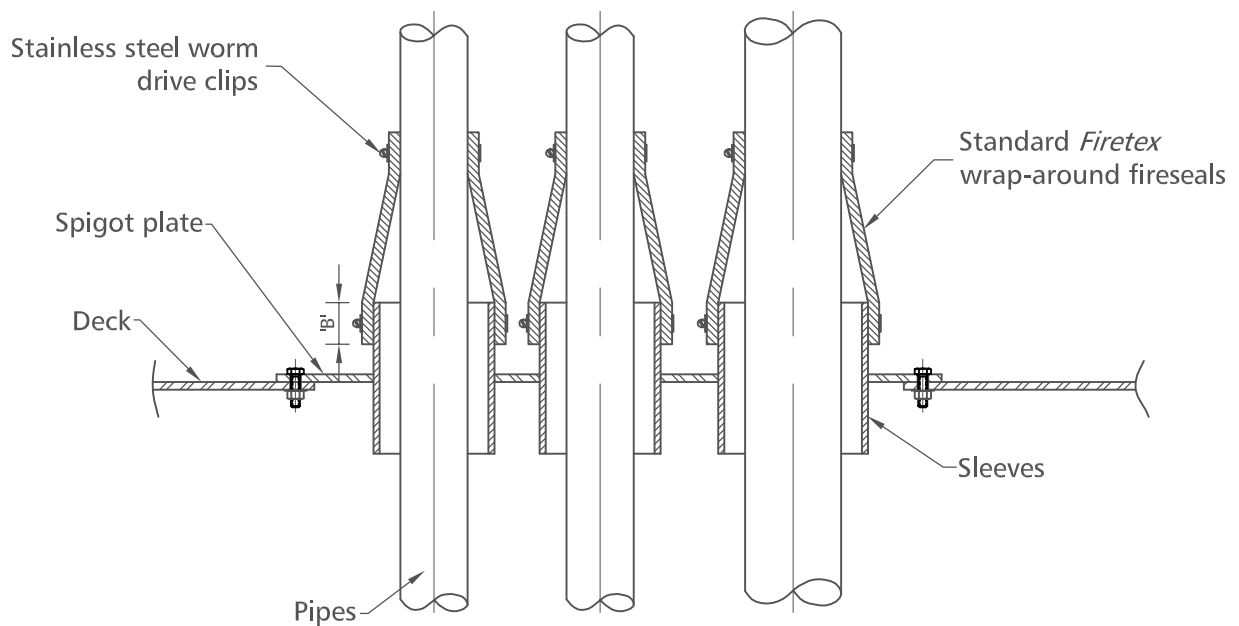


PLAN VIEW (FIRE SEALS OMITTED)



(SECTIONAL VIEW)

Notes:

- MOVEMENT:** Seal design to suit specific project movement criteria.
- CLIPPING:** Each seal is supplied with fitting instructions, adhesive and stainless steel worm drive clips to suit pipe and sleeve diameters. For diameters of 350mm and above 'double clipping' is required. The clipping length or cuff (B) is 30mm for single clips and 70mm for double clips.
- GENERAL:** The deck penetration solution featured here may also be applied to a bulkhead penetration. Spigot plate may be supplied by MCL if required.

0	29/09/05	Drawing created		J.D.	N.R.T. I.C.K.
Rev	Date	Revision detail		Drn	Chkd
Drawing Number					
PPS-0340					REV 0