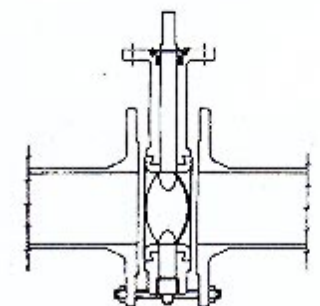
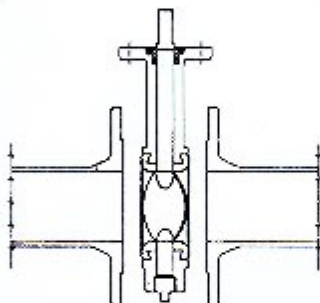
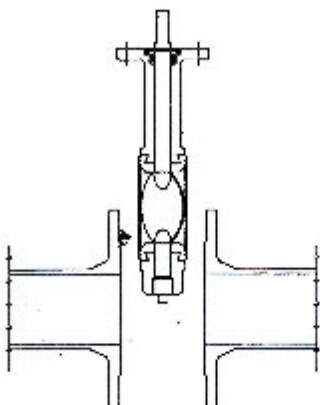


CORRECT VALVE INSTALLATION PROCEDURE

■ Correct Installation



1. Spread flanges enough to allow the valves with disc in semi-closed position. This prevents the damage of disc and seat during installation and reduces initial torque.

2. Flange gaskets are not needed and should not be used.

3. Insert bolts through the two bottom pipe flange holes to rest valves on during installation.

4. Tighten the flange bolts evenly to prevent the leakage between flange and valve.

■ Incorrect Installation

