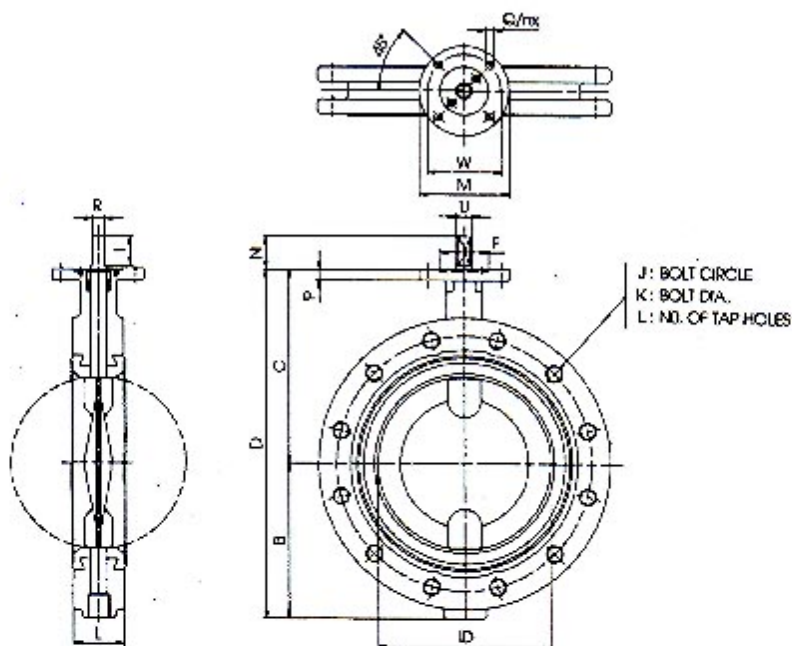


# FLANGED PATTERN - WEIGHTS & DIMENSIONS



Valve Size		ID	L	B	C	D	P	STEM				TOP FLANGE TO ISO 5211						Weight (kg)
Inch	mm							N	I	R	U	TYPE	#M	#W	N	Q	F	
1½	40	40	40	59	120	179	10	33	30	9.5	14	F07	90	70	4	9	55	6.0
2	50	50	43	64	130	194	11	33	30	9.5	14	F07	90	70	4	9	55	6.5
2½	65	68	46	72	137	209	11	33	30	9.5	14	F07	90	70	4	9	55	9.0
3	80	77	46	85	156	241	11	33	30	11.8	16	F07	90	70	4	9	55	10.0
4	100	100	52	95	170	266	11	33	30	11.8	16	F07	90	70	4	9	55	14.0
5	125	125	56	110	185	295	12	33	30	14.5	19	F07	90	70	4	9	55	16.5
6	150	147	56	123	203	326	12	33	30	14.5	19	F07	90	70	4	9	55	19.0
8	200	198	60	168	238	406	13	33	30	14.5	19	F07	90	70	4	9	55	32.0

Valve Size		BS4504 PN6			BS4504 PN10			BS4504 PN16			ANSI 150LB		
Inch	mm	#J	K	L	#J	K	L	#J	K	L	#J	K	L
1½	40	100	M12	4	110	M16	4	110	M16	4	98.5	1/2	4
2	50	110	M12	4	125	M16	4	125	M16	4	120.5	5/8	4
2½	65	130	M12	4	145	M16	4	145	M16	4	139.5	5/8	4
3	80	150	M16	4	160	M16	8	160	M16	8	152.5	5/8	4
4	100	170	M16	4	180	M16	8	180	M16	8	190.5	5/8	8
5	125	200	M16	8	210	M16	8	210	M16	8	216.0	3/4	8
6	150	225	M16	8	240	M20	8	240	M20	8	241.5	3/4	8
8	200	280	M16	8	295	M20	8	295	M20	12	298.5	3/4	8

