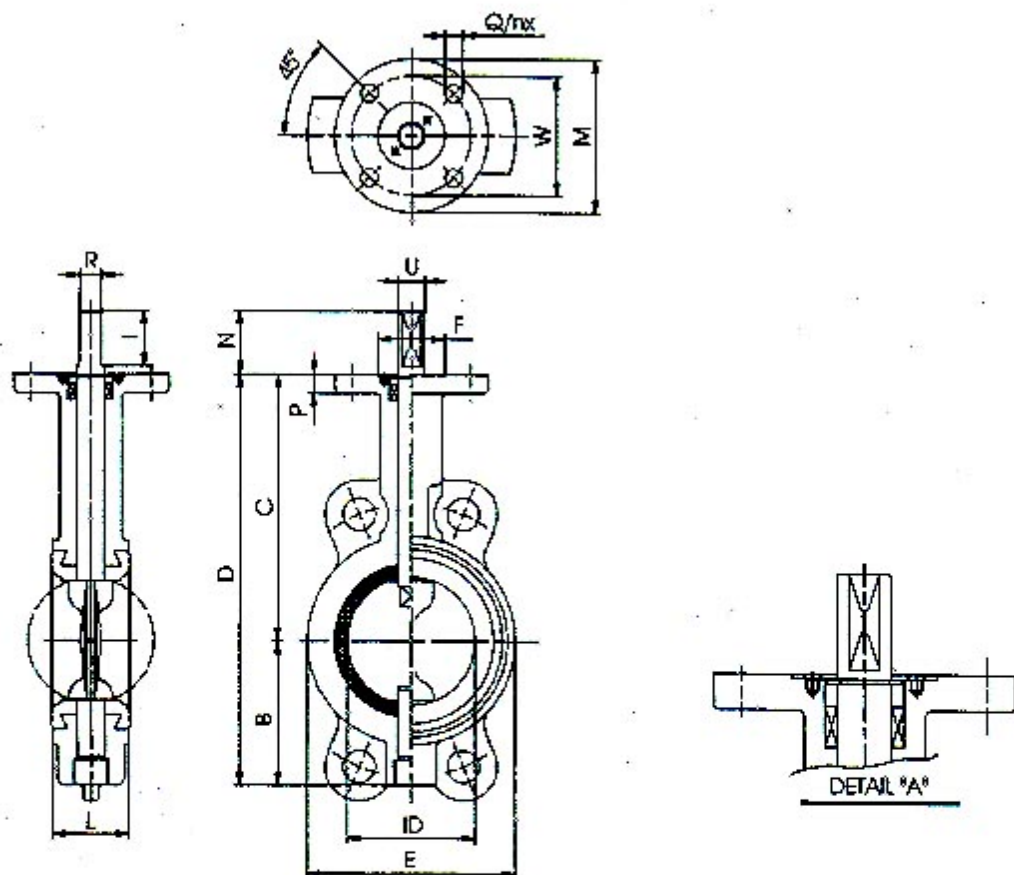


# WAFER PATTERN - WEIGHTS AND DIMENSIONS



Valve Size		ID	L	B	C	D	E	P	STEM				TOP FLANGE TO ISO 5211					Weight (kg)	
Inch	mm								N	I	R	U	TYPE	#M	#W	N	Q		F
1 1/2	40	40	40	59	120	179	85	10	33	30	9.5	14	F07	90	70	4	9	55	2.7
2	50	50	43	64	130	194	92	11	33	30	9.5	14	F07	90	70	4	9	55	2.9
2 1/2	65	63	46	72	137	209	107	11	33	30	9.5	14	F07	90	70	4	9	55	4.1
3	80	77	46	85	156	241	122	11	33	30	11.8	16	F07	90	70	4	9	55	4.4
4	100	100	52	95	170	265	150	11	33	30	11.8	16	F07	90	70	4	9	55	4.7
5	125	125	56	110	185	295	179	12	33	30	14.5	19	F07	90	70	4	9	55	6.3
6	150	147	56	123	203	326	206	12	33	30	14.5	19	F07	90	70	4	9	55	7.9
8	200	198	60	168	238	406	257	13	33	30	14.5	19	F07	90	70	4	9	55	12.3